

# Contura

896 Style

896G Style



**SE**

Fakta	3
Installationsavstånd	4
Prestandadeklaration	5
EU-försäkran om överrenskommelse	6
Montering	39

**DE**

Fakten	7
Installationsabstände	8
Leistungsdeklaration	9
EU-Konformitätserklärung	10
Montage	39

**NO**

Fakta	11
Installasjonsavstand	12
Ytelseserklæring	13
EU-samsvarserklæring	14
Montering	39

**FR**

Données Techniques	15
Distances d'installation	16
Déclaration des performance	17
Déclaration de conformité UE	18
Montage	39

**GB**

Facts	19
Installation distances	20
Declaration of performance	21
EU Declaration of Conformity	22
Assembly	39

**DK**

Fakta	23
Installationsafstand	24
Præstationserklæring	25
EU-overensstemmelseerklæring	26
Montering	39

**FI**

Tiedot	27
Asennusetäisyys	28
Suoritusasoilmoitus	29
EU-vaatimustenmukaisuusvakuutus	30
Asennus	39

**IT**

Dati Tecnici	31
Distanze di sicurezza	32
Dichiarazione di prestazione	33
Dichiarazione di Conformità UE	34
Montaggio	39

**NL**

Gegevens	35
Installatieafstand	36
Prestatieverklaring	37
EU-conformiteitsverklaring	38
Monteren	39

## Facts



3-7 kW



1260 mm



465 mm



365 mm



87 kg

Nominal effect	5 kW
Efficiency	81 %
Flue gas temperature in the connection at nominal output	314°C
Flue gas mass flow	4,3 g/s

### Type approved in accordance with:

European standard EN-13240

NS 3059 (Norway)

BImSchV.2 (Germany)

Art. 15a B-VG (Austria)

Clean Air Act. (UK)



### The stove becomes very hot

During operation, certain surfaces of the stove become very hot and can cause burn injury if touched. Be aware of the strong heat radiated through the hatch glass. Placing flammable material closer than the safe distance indicated may cause a fire. Pyre lighting can cause quick gas ignition with the risk of damage to property and personal injury.

## Installation by authorised technician

This manual contains instructions about how the stoves must be assembled and installed. To ensure the function and safety of the stove, we recommend that the installation is carried out by an authorised technician. Contact one of our dealers who can recommend suitable technicians.

## Building application

These main instructions may give guidance which would contravene national building regulations. Please refer to supplementary instructions or ask your local authority for advice regarding building regulations. Before installing a stove or erecting a chimney it is necessary for you to make a building application permission to your local authority. The owner of the house is personally responsible for ensuring compliance with the mandatory safety requirements and must have the installation approved by a qualified inspector. Your local chimney sweep must also be informed about the installation as this will affect the routines for regular chimney-sweeping services.

## Structural support

Check that the wood joists are strong enough to bear the weight of the stove and chimney. The stove and chimney can usually be placed on a normal wooden joist in a single occupancy house if the total weight does not exceed 400 kg.

## Hearth plate

Due to the risk of falling embers, a flammable floor must be protected by a hearth plate. It must extend 300 mm in front of the stove and 100 mm on each side of the stove, or have a 200 mm extension on each side of the opening. The hearth plate can consist of natural stone, concrete, metal plate or glass. A glass hearth plate is available as an accessory for these models.

## Final inspection of the installation

It is extremely important that the installation is inspected by an authorised chimney sweep before the stove is used. Also read the "Lighting instructions", before lighting for the first time.

## Connection to chimney

- The stove must be connected to chimneys dimensioned for a minimum flue gas temperature of 400°C.
- The external diameter of the connection sleeve is 150 mm.
- Normal chimney draw under nominal operation should be between 20-25 Pa close to the connector. The draft is affected both by the length and area of the chimney, and by how well sealed it is. Minimum recommended chimney length is 3.5 m and suitable cross section area is 150-200 cm<sup>2</sup> (140-160 mm in diameter).
- A flue with sharp bends and horizontal routing reduces the draught in the chimney. Maximum horizontal flue is 1 m, on the condition that the vertical flue length is at least 5 m.
- It must be possible to sweep the full length of the flue and the soot hatches must be easily accessible.
- Carefully check that the chimney is sealed and that there is no leakage around soot hatches and flue connections. See page 40.
- The stove meets the requirements for connection to a branched flue pipe.

## Supply of combustion air

When a stove is installed in a room, the demand for air supply to the room increases. Air can be provided indirectly via a vent in the outer wall or via a duct from the outside that is connected to the connector on the underneath of the stove. The amount of air needed for combustion is 15 m<sup>3</sup>/h.

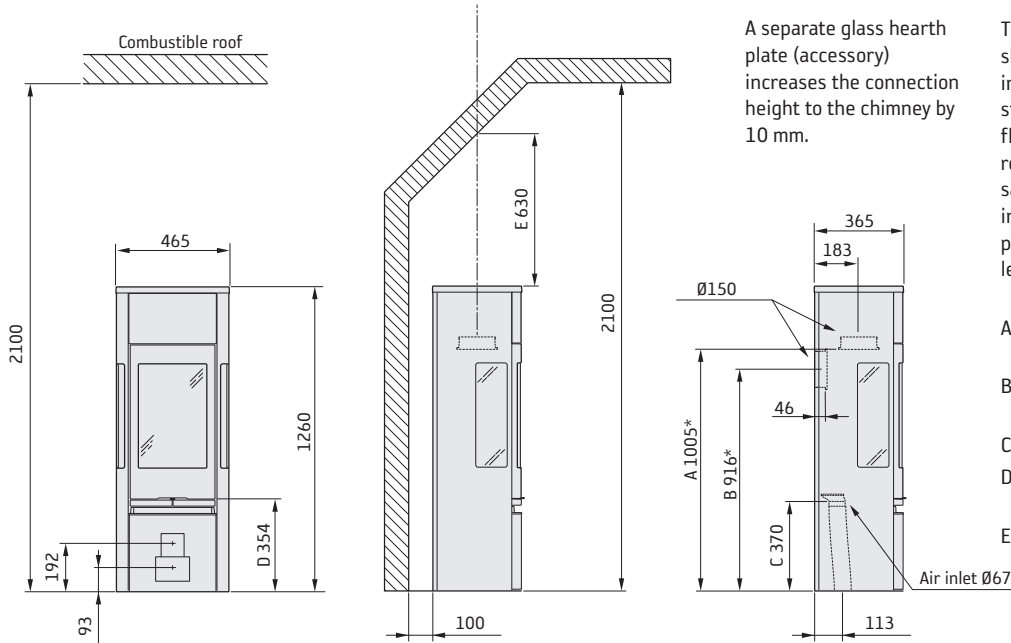
The connector for the combustion air has an external diameter of 67 mm. When duct routing further than 1 m the pipe diameter must be increased to 100 mm and a correspondingly larger wall vent must be selected.

In hot areas, the duct should be insulated with 30 mm mineral wool with a moisture inhibiting outer cover. It is also important to seal around the hole in the wall (or floor) of the lead-in using sealant.

A 1 m length of condensation insulated ducting for combustion air is available as an accessory. See page 42.

# Installation distances

## C896 / C896G Style



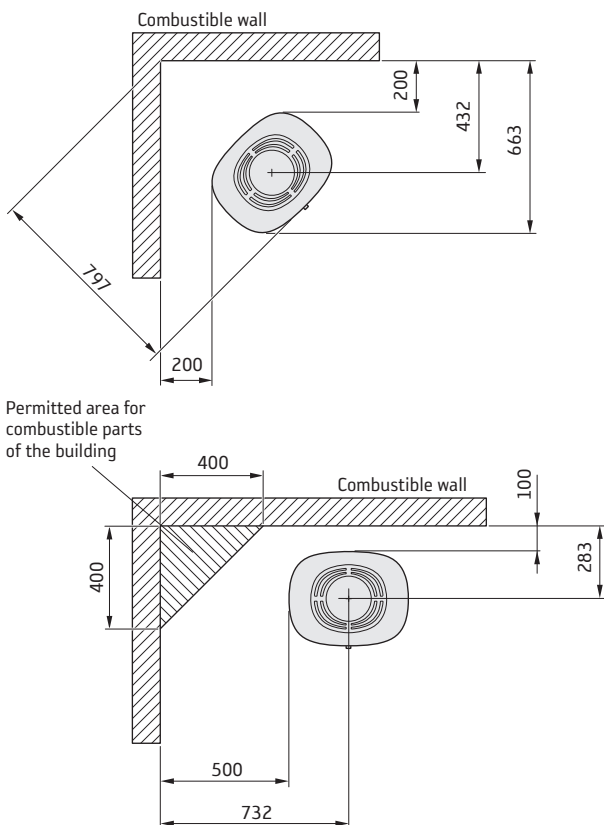
A separate glass hearth plate (accessory) increases the connection height to the chimney by 10 mm.

The minimum distance in front of the stove opening to combustible parts of the building or interior decoration must be at least 1,1 m.

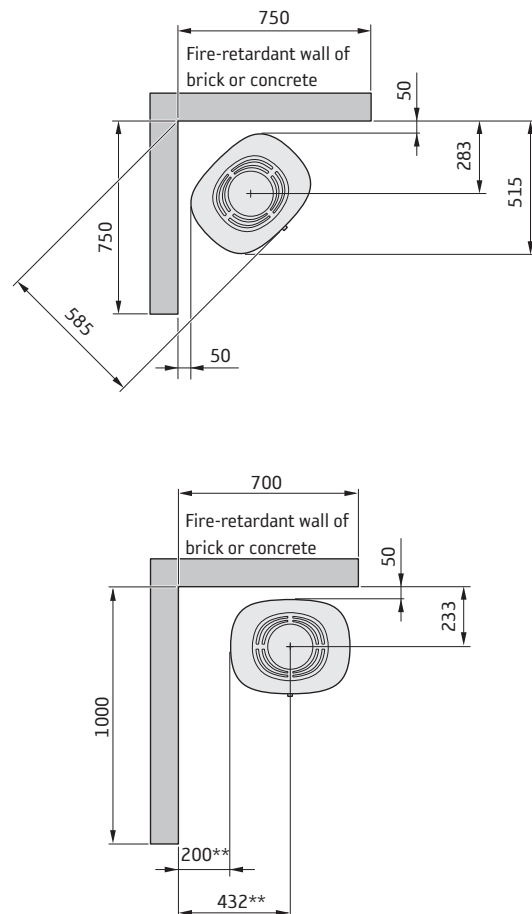
The dimension diagrams only show the minimum permitted installation distances for the stove. When connecting to a steel flue, also note the safety distance requirements of the flue. The safety distance between an un-insulated flue and a combustible part of the building should be at least 450 mm.

- A = height from floor to chimney connection upwards
- B = height from floor to c/c chimney connection rear
- C = height from floor to air inlet
- D = height from floor to lower edge of hatch
- E = minimum height to sloped ceiling from the centre of the chimney

### INSTALLATION AGAINST COMBUSTIBLE WALLS



### INSTALLATION AGAINST FIREWALLS



\* If the stove is placed on a hearth plate made of glass for example (accessory), the height from the floor is affected by a distance corresponding to the thickness of the hearth plate, for a free standing glass hearth plate this is 10 mm.

\*\* To prevent discolouration of painted non-flammable walls we recommend that the same side distance as to combustible walls is used.

## Declaration of performance according to Regulation (EU) 305/2011

No. C896-CPR-220901

# Contura

### PRODUCT

Type Wood burning stove  
Trade name Contura 896  
Intended area of use Heating of rooms in residential buildings  
Fuel Wood

### MANUFACTURER

Name NIBE AB / Contura  
Address Box 134, Skulptörvägen 10  
SE-285 23 Markaryd, Sweden

### VERIFICATION

According to AVCP System 3  
European standard EN 13240:2001 / A2:2004 / AC:2007  
Test institute Danish Technological Institute, NB 1235

### DECLARED PERFORMANCE

ESSENTIAL CHARACTERISTICS	PERFORMANCE	HARMONISED TECHNICAL SPECIFICATION
Fire safety	Pass	EN 13240:2001 / A2:2004 / AC:2007
Fire classification	A1	
Minimum distance to flammable materials	Rear: 100 mm Side: 500 mm Ceiling: 840 mm Front: 1100 mm Floor: 0 mm Corner: 200 mm	
Fire hazard due to burning fuel falling out	Pass	
Cleanability	Pass	
Emissions from combustion	CO: 1500 mg/ m <sup>3</sup> NOx: 200 mg/ m <sup>3</sup> OGC: 120 mg/ m <sup>3</sup> PM: 40 mg/ m <sup>3</sup>	
Surface temperatures	Pass	
Temperature on the handle	Pass	
Mechanical resistance	Pass	
Temperature in the space for wood storage	Pass	
Nominal output	5,0 kW	
Efficiency	81,0%	
Flue gas temperature at nominal output	259°C	
Flue gas temperature in flue spigot	314°C	

The undersigned is responsible for the manufacture and conformity with the declared performance.



**Niklas Gunnarsson**, Business area manager NIBE STOVES  
Markaryd, 1st September 2022



## EU Declaration of Conformity

Manufacturer	NIBE AB / Contura
Address	Box 134, Skulptörvägen 10 285 23 Markaryd, Sweden
E-Mail	info@contura.se
Website	www.contura.eu
Telephone	+46 433 275100

# Contura

<b>THIS DECLARATION OF CONFORMITY IS ISSUED UNDER OUR SOLE RESPONSIBILITY FOR THE FOLLOWING PRODUCT:</b>							
Trade name	Contura 800 Style-series: 810 (W) / 820T / 856 (T/W) / 870 / 886 / 890 (T) / 896						
Identification of product	www.contura.eu						
<b>THE OBJECT OF THE DECLARATION DESCRIBED ABOVE IS IN CONFORMITY WITH -</b>							
<b>THE RELEVANT UNION HARMONIZATION LEGISLATION:</b>				<b>THE RELEVANT HARMONIZED STANDARDS:</b>			
DIR 2009/125/EC				EN 13240:2001/A2:2004/AC:2007			
REG (EU) 2015/1185				CEN/TS 15883:2010			
REG (EU) 2015/1186							
REG (EU) 2017/1369							
REG (EU) 305/2011							
<b>TECHNICAL DOCUMENTATION</b>							
Indirect heating functionality:	No						
Direct heat output:	5,0 kW						
Energy Efficiency Index (EEI):	107,5						
Test report	300-ELAB-2412-EN, NB 1235						
FUEL	PREFERRED FUEL	OTHER SUITABLE FUEL	$\eta_s$ (%)	EMISSIONS AT NOMINAL HEAT OUTPUT			
				PM	OGC	CO	NO <sub>x</sub>
mg/ Nm <sup>3</sup> (13% O <sub>2</sub> )							
Wood logs with moisture content 25%	Yes	No	71,0	40	120	1500	200
Compressed wood with moisture content <12%	No	Yes	71,0	40	120	1500	200
Other woody biomass	No	No					
Non-wood biomass	No	No					
Anthracite and dry steam coal	No	No					
Hard coke	No	No					
Low temperature coke	No	No					
Bituminous coal	No	No					
Lignite briquettes	No	No					
Peat briquettes	No	No					
Blended fossil fuel briquettes	No	No					
Other fossil fuel	No	No					
Blended biomass and fossil fuel briquettes	No	No					
Other blend of biomass and solid fuel	No	No					
<b>CHARACTERISTICS WHEN OPERATING WITH THE PREFERRED FUEL</b>							
ITEM	SYMBOL	VALUE	UNIT	ITEM	SYMBOL	VALUE	UNIT
<b>HEAT OUTPUT</b>				<b>USEFUL EFFICIENCY, BASED ON NET CALORIFIC VALUE (NCV )</b>			
Nominal heat output:	$P_{nom}$	5,0	kW	Useful efficiency at nominal heat output	$\eta_{th,nom}$	81,0	%
<b>AUXILIARY ELECTRICITY CONSUMPTION</b>				<b>TYPE OF HEAT OUTPUT/ROOM TEMPERATURE CONTROL</b>			
At nominal heat output	$e_{l,max}$	-	kW	Single stage heat output, no room temperature control			Yes
At minimum heat output	$e_{l,min}$	-	kW	Two or more manual stages, no room temperature control			No
In standby mode	$e_{l,SB}$	-	kW	With mechanic thermostat room temperature control			No
				With electronic room temperature control			No
				With electronic room temperature control plus day timer			No
				With electronic room temperature control plus week timer			No
				<b>OTHER CONTROL OPTIONS</b>			
				Room temperature control, with presence detection			No
				Room temperature control, with open window detection			No
				With distance control option			
Specific precautions for assembly, installation, or maintenance.		Fire protection and safety distances to combustible building materials must be observed under all circumstances. A sufficient supply of combustion air must always be guaranteed. Air suction systems can interfere with the combustion air supply.					

The undersigned is responsible for the manufacture and conformity with the declared performance.



**Niklas Gunnarsson**, Business area manager NIBE STOVES  
Markaryd, January 1, 2022

**SE** Montering

Om insatsen behöver läggas ned för att förflyttas bör lösa delar demonteras. Demontering av eldstadsbeklädnad beskrivs i slutet av denna anvisning.

- 1 Galler
- 2 Rostertallrik
- 3 Eldstadsbeklädnad (Vermiculit)
- 4 Typskylt
- 5 Brasbegränsare

**DE** Vor der Montage

Wenn der Einsatz in liegender Position versetzt werden muss, sind lose Komponenten zu demontieren. Die Demontage der Brennraumauskleidung wird am Ende dieser Anleitung beschrieben.

- 1 Gitter
- 2 Rostteller
- 3 Brennraumauskleidung (Vermiculit)
- 4 Typenschild
- 5 Stehrost

**NO** Før montering

Hvis innsatsen må legges ned for å flyttes, bør løse deler demonteres. Demontering av brennplater og hvelv er beskrevet mot slutten av denne veiledningen.

- 1 Gitter
- 2 Rist
- 3 Brennplater og hvelv (vermiculitt)
- 4 Typeskilt
- 5 Kubbestopper

**FR** Avant de procéder au montage

Les éléments non fixés devront être déposés si l'insert doit être couché pour être déplacé. Le démontage de l'habillage du foyer est décrite à la fin de ce document.

- 1 Grille
- 2 Grille de décentrage
- 3 Habillage du foyer (Vermiculite)
- 4 Plaque signalétique
- 5 Pare-bûches

**GB** Prior to installation

If the insert needs to be put down to be moved, loose components should be removed. Removal of the hearth cladding is described at the end of these installation instructions.

- 1 Grille
- 2 Grate disc
- 3 Hearth cladding (Vermiculite)
- 4 Type plate
- 5 Fire bars

**DK** Før opstilling

Hvis indsatsen skal lægges ned for at blive flyttet, bør løsdele afmonteres. Afmontering af ovnbeklædning beskrives i slutningen af denne vejledning.

- 1 Gitter
- 2 Rund askerist
- 3 Ovnbeklædning (Vermiculite)
- 4 Typeskilt
- 5 Brændeholder

**FI** Ennen asennusta

Jos tulipesä pitää siirtää kyljellään, irto-osat pitää irrottaa. Tulipesän verhoilun irrotus kuvataan ohjeen lopussa.

- 1 Säleikkö
- 2 Ruostumaton teräslautanen
- 3 Tulipesän verhois (vermikuliiitti)
- 4 Tyypikilpi
- 5 Suojareunus

**IT** Prima del montaggio

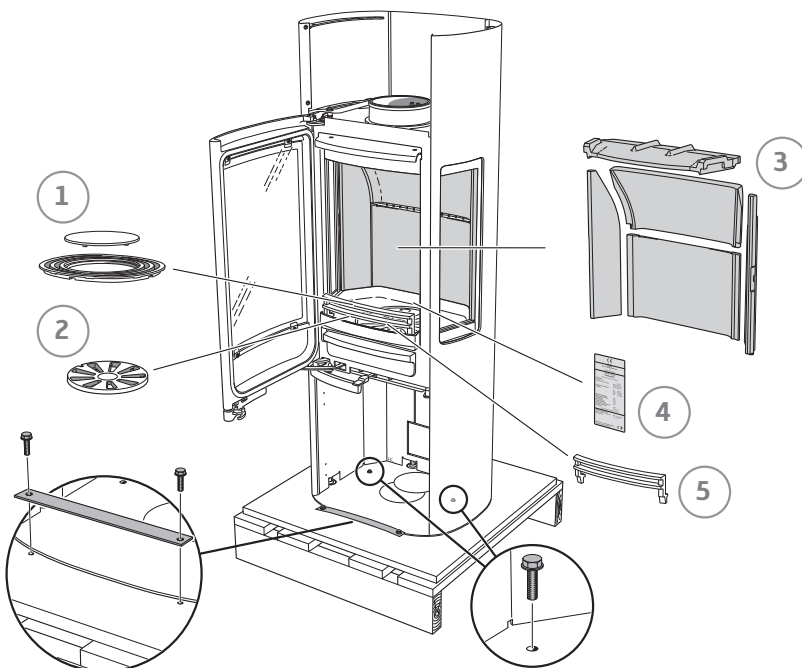
Se è necessario smontare l'inserto per spostarlo, rimuovere prima i componenti liberi. La procedura di smontaggio del rivestimento del focolare è descritta alla fine delle presenti istruzioni.

- 1 Griglia
- 2 Griglia del braciere
- 3 Rivestimento interno del focolare (vermiculite).
- 4 Etichetta prodotto
- 5 FEMALEGNA

**NL** Voorafgaand aan montage

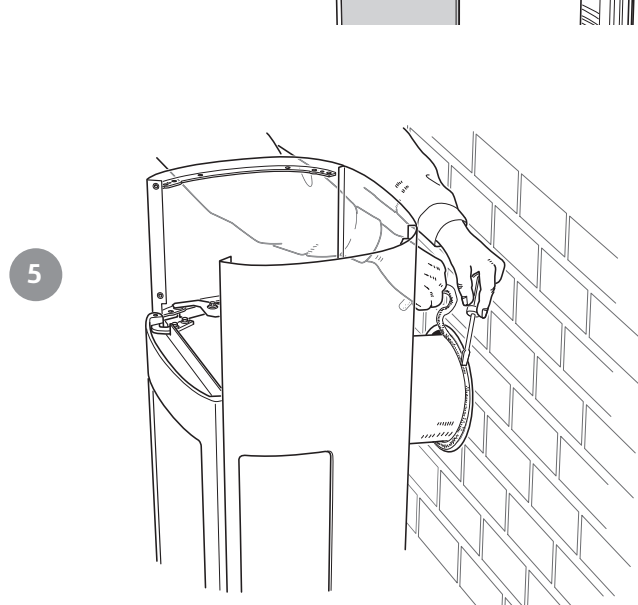
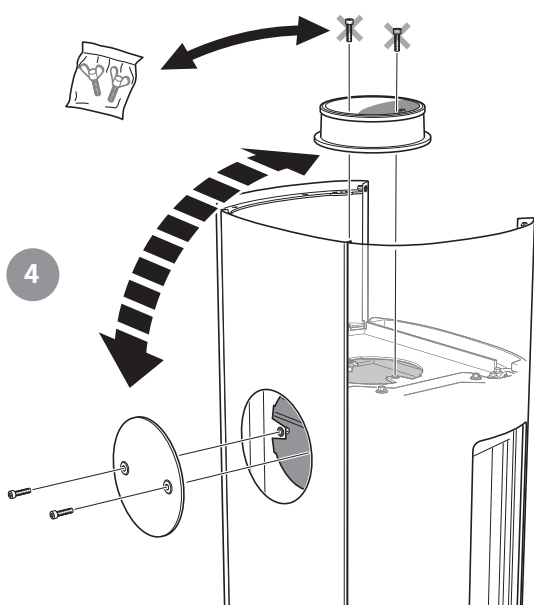
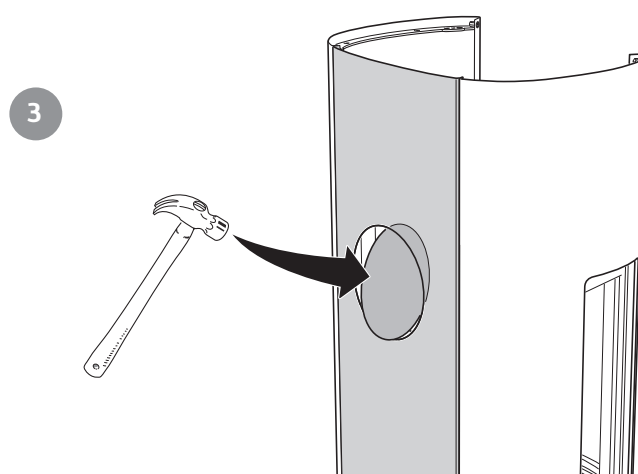
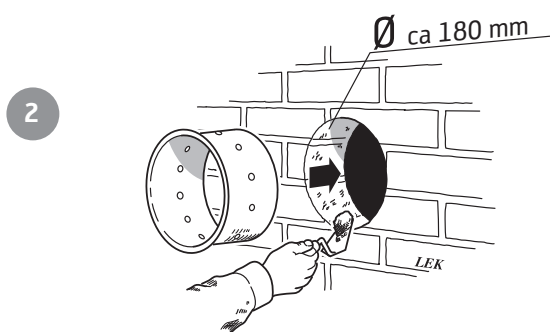
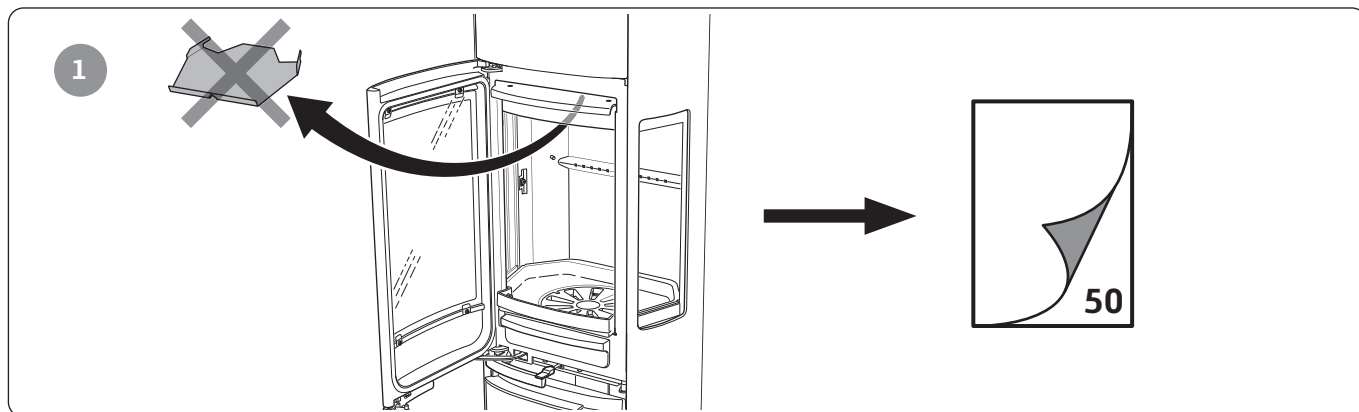
Als de inzet liggend moet worden verplaatst, moeten losse onderdelen worden gedemonteerd. De demontage van de haardbekleding wordt beschreven aan het eind van deze instructies.

- 1 Rooster
- 2 Roosterschijf
- 3 Haardbekleding (vermiculiet)
- 4 Typeplaatje
- 5 Houtvanger



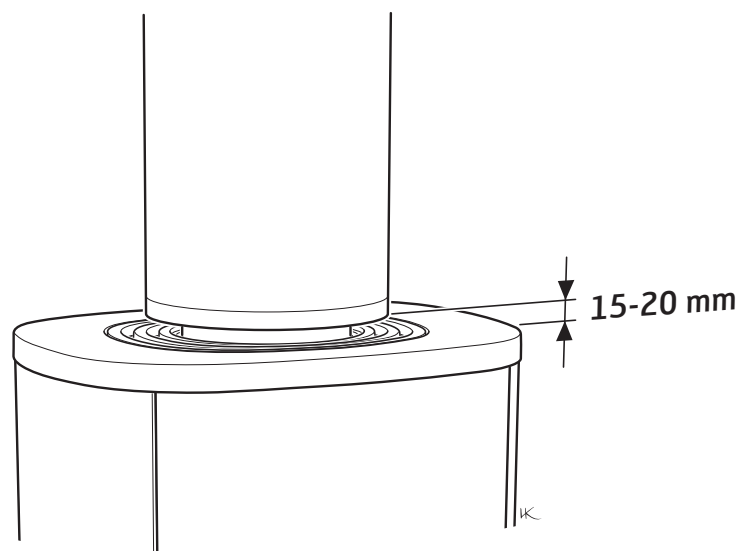
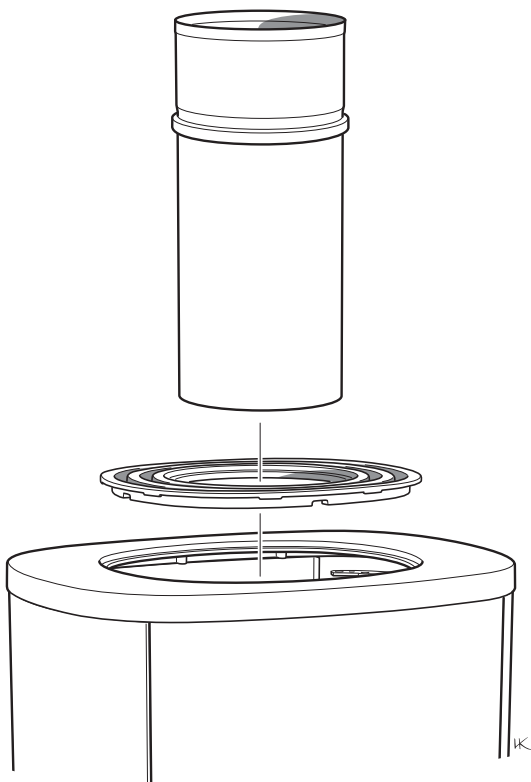


- SE Bakåtanslutning till skorsten
- DK Tilslutning bagud til skorsten
- DE Rückseitiger Anschluss an einen Schornstein
- FI Liitäntä taaksepäin savupiippuun
- NO Bakmontering til skorstein
- IT Collegamento alla canna fumaria dal retro della stufa
- FR Raccordement par l'arrière à la cheminée
- NL Achterwaartse aansluiting op een schoorsteen
- GB Rear connection to chimney



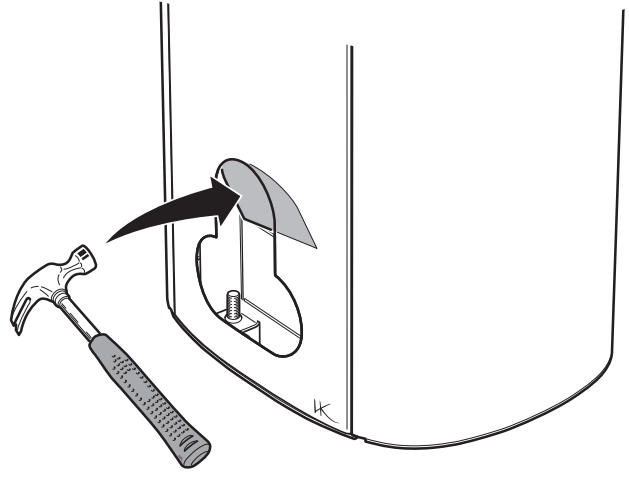


- SE** Toppanslutning till skorsten  
Varmluftsgallret måste vara monterat innan skorstenen toppansluts.
- DE** Oberseitiger Anschluss an den Schornstein  
Das Warmluftgitter muss montiert sein, bevor ein Schornsteinanschluss an der Oberseite erfolgt.
- NO** Toppmontering til skorstein  
Varmluftsgitteret må være montert før skorsteinen toptilkobles.
- FR** Raccordement par le haut  
Monter la grille d'air chaud avant le raccordement à la cheminée par le haut.
- GB** Top connection to the chimney  
The hot air grille must be installed before chimney top connection.
- DK** Toptilslutning til skorsten  
Varmluftristen skal være monteret, før skorstenen toptilsluttes.
- FI** Liitäntä ylöspäin savupiippuun  
Lämminilmaritilä pitää asentaa ennen savupiipun liitintää ylöspäin.
- IT** Collegamento alla canna fumaria dal piano della stufa  
Prima di collegare la canna fumaria al piano della stufa, assicurarsi che la griglia dell'aria calda sia montata.
- NL** Bovenansluiting op een schoorsteen  
Het heteluchtrooster moet zijn gemonteerd, voordat de schoorsteen op de bovenansluiting wordt aangesloten.
- SE** Toppanslutning till isolerad skorsten  
Spalt Min 15 mm, Max 20 mm.
- DE** Oberer Anschluss an isoliertem Schornstein  
Spalt: mind. 15 mm, max. 20 mm.
- NO** Toppmontering til isolert skorstein  
Spalte min. 15 mm, maks. 20 mm.
- FR** Raccordement par le haut à une cheminée isolée  
Espace min.15 mm, min. 20 mm.
- GB** Top connection for insulated chimney  
Gap Min. 15 mm, Max. 20 mm.
- DK** Toptilslutning til isoleret skorsten  
Spalte min. 15 mm, maks. 20 mm.
- FI** Liitäntä ylöspäin eristettyyn savupiippuun  
Rako min 15 mm, maks 20 mm.
- IT** Collegamento alla canna fumaria isolata dal piano della stufa  
Luce min 15 mm, max 20 mm.
- NL** Bovenansluiting op een geïsoleerde schoorsteen  
Ruimte min. 15 mm, max. 20 mm.

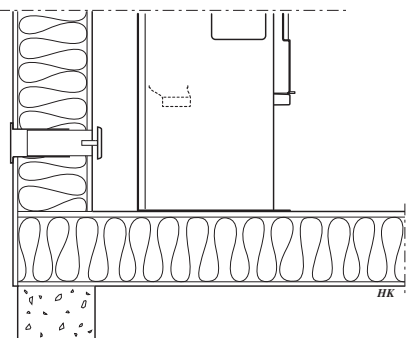




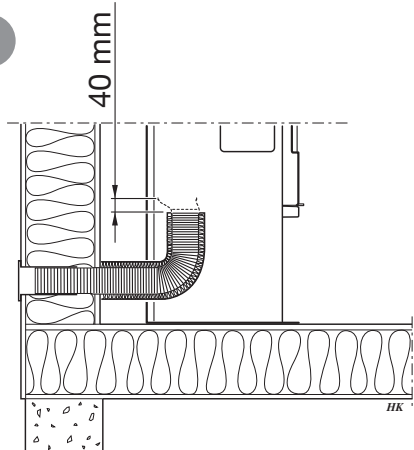
- SE Tilluft
- DE Zuluft
- NO Tilluft
- FR Arrivée d'air
- GB Supply
- DK Forbrændingsluft
- FI Tuloilma
- IT Alimentazione dell'aria
- NL Toevoerlucht



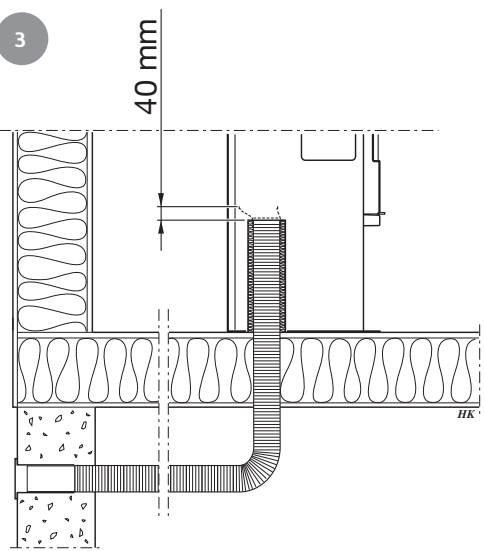
1



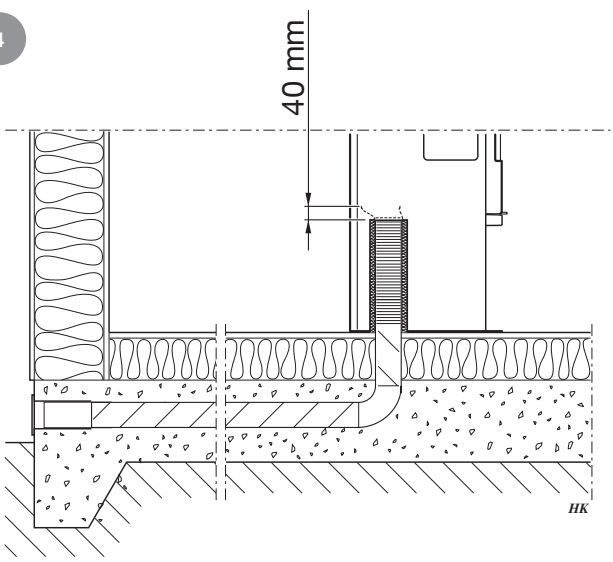
2



3

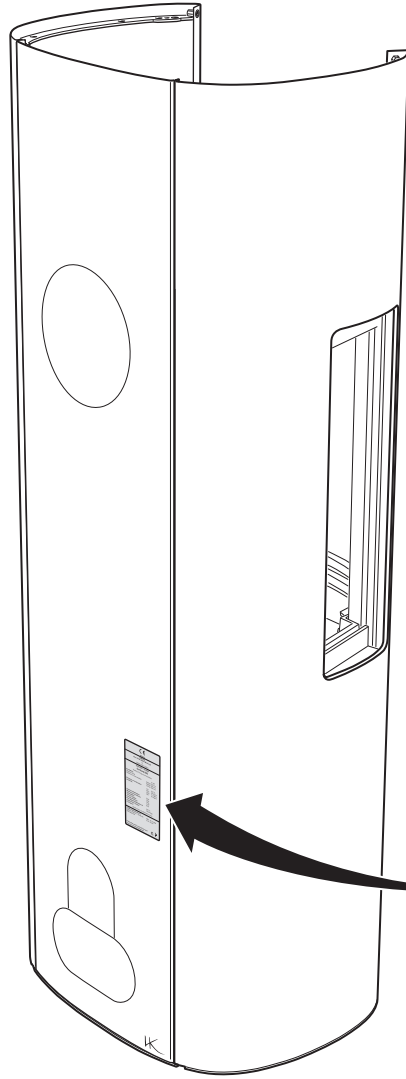


4

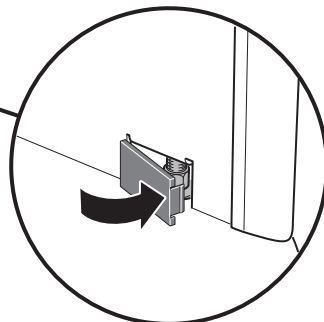
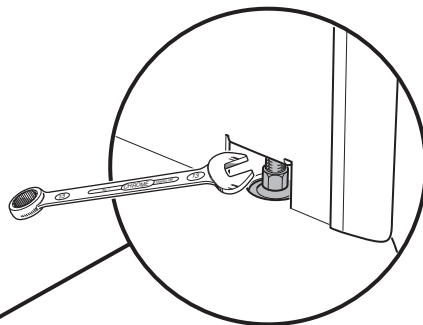




1

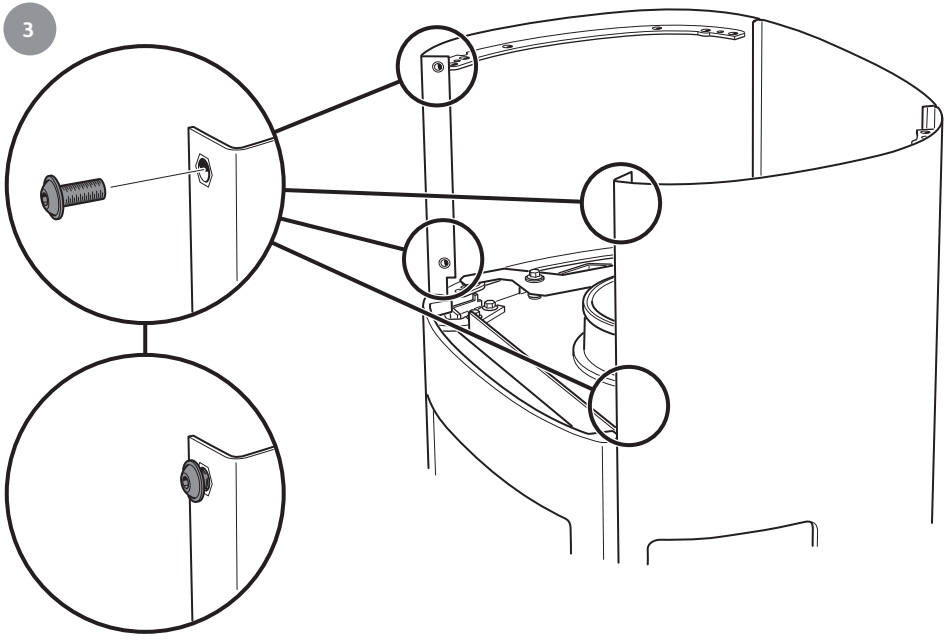


2

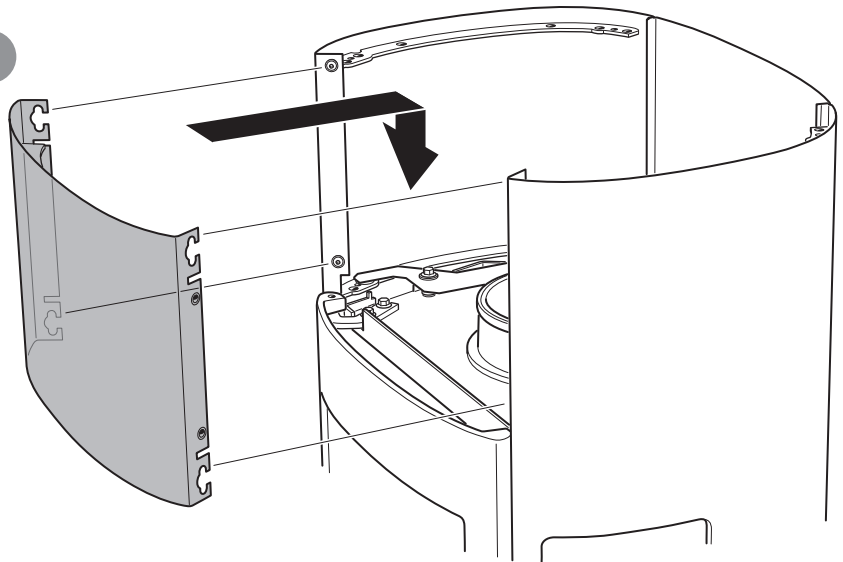




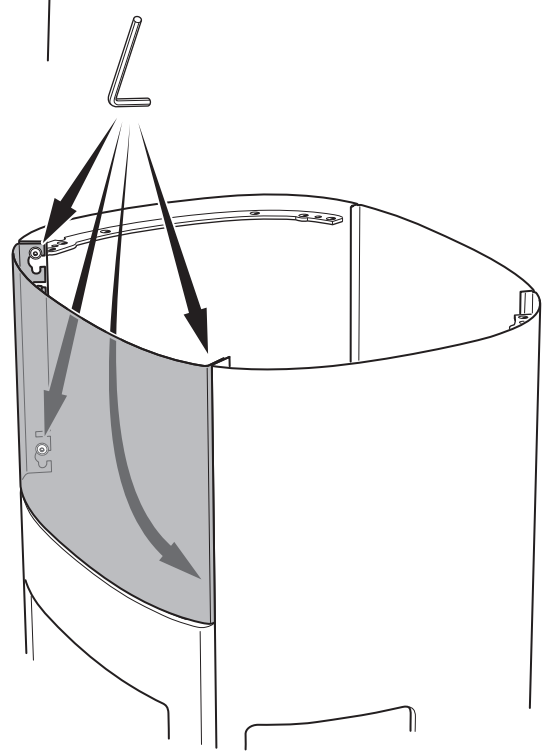
3



4

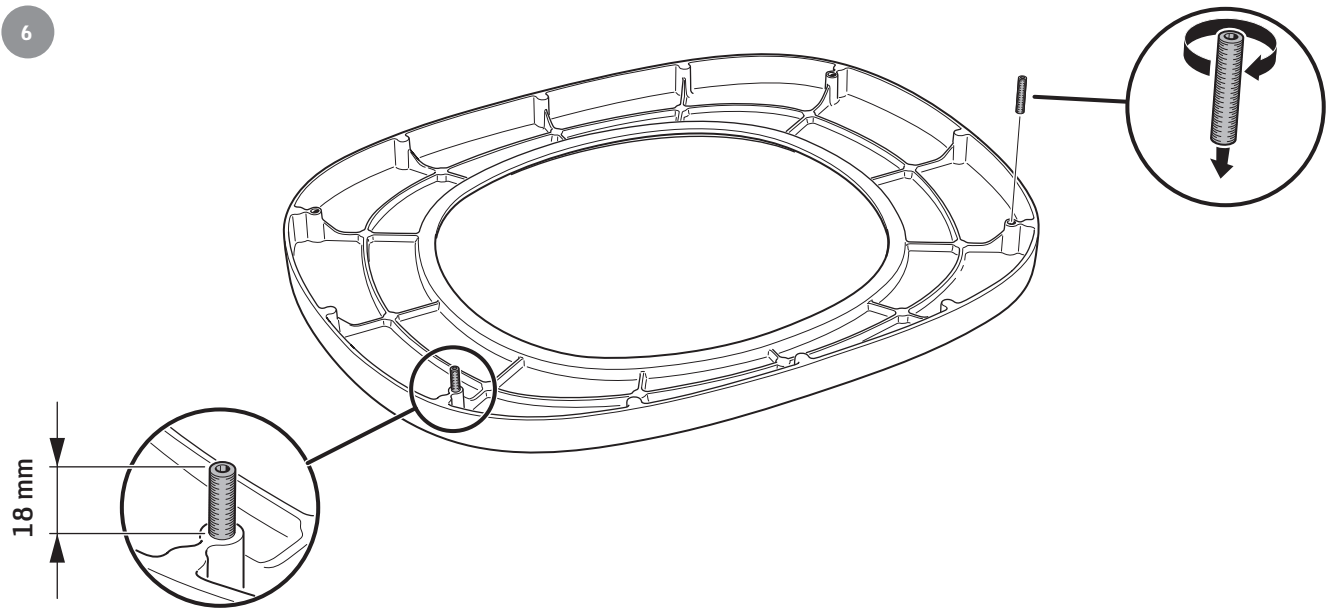


5

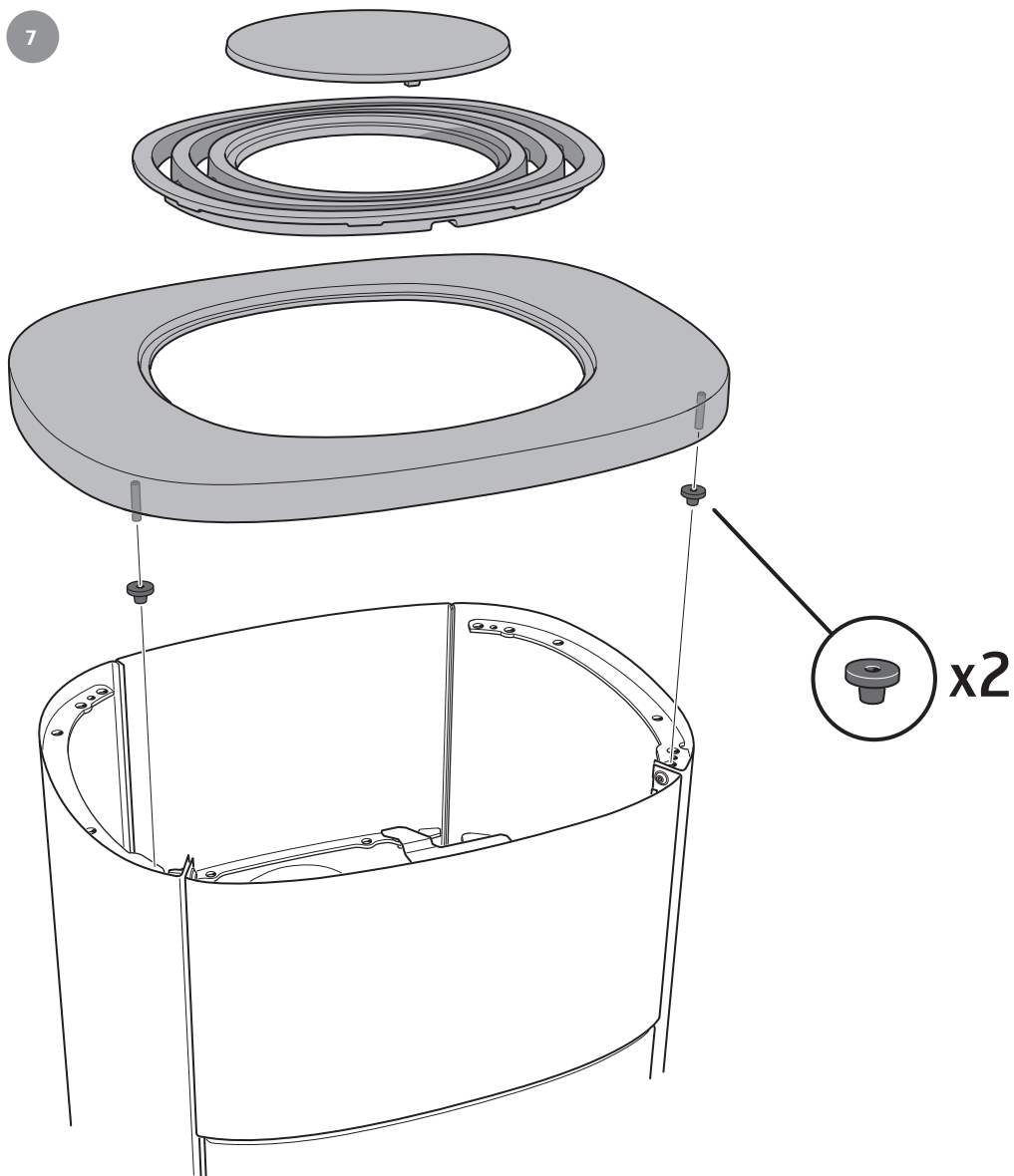




6

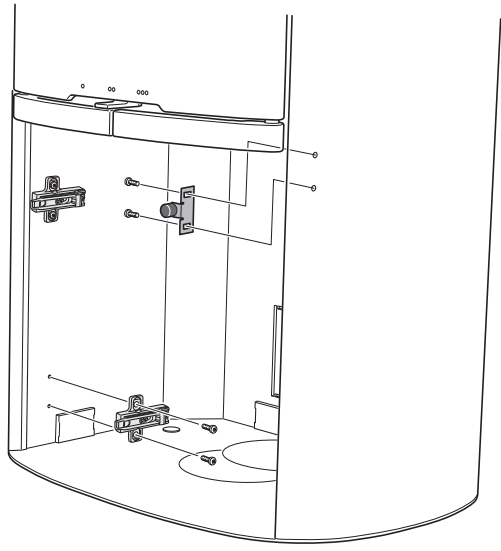


7

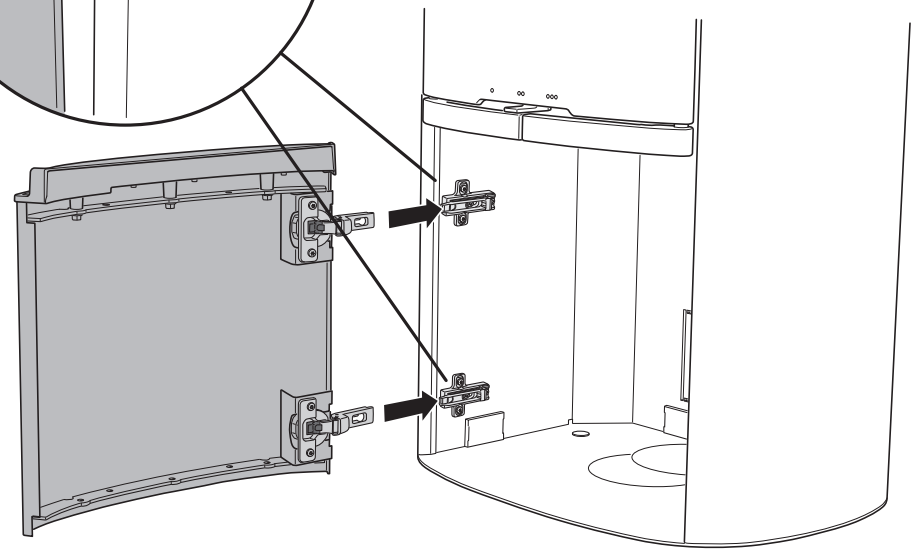
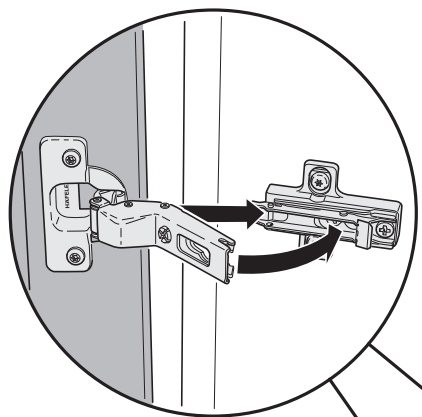




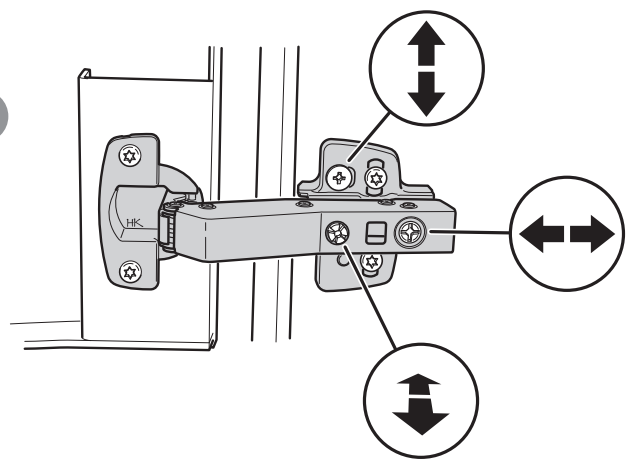
1



2



3





**SE** Uppställning av luckan, vid städning/service  
Luckan kan spärras i öppet läge, med hjälp av låsarmen på kaminens vänstra sida.

**DE** Aufstellen der Tür für Reinigung und Service  
Mithilfe des Armes an der linken Seite des Kamins kann die Tür in ihrer geöffneten Stellung arretiert werden.

**NO** Låsing av døren i åpen posisjon, ved rengjøring/service  
Døren kan låses i åpen posisjon, ved hjelp av låsearmen på venstre siden av ovnen.

**FR** Placement de la porte, pour le nettoyage et/ou l'entretien  
La porte peut être verrouillée en position ouverte, à l'aide du levier de verrouillage situé sur le côté gauche du poêle.

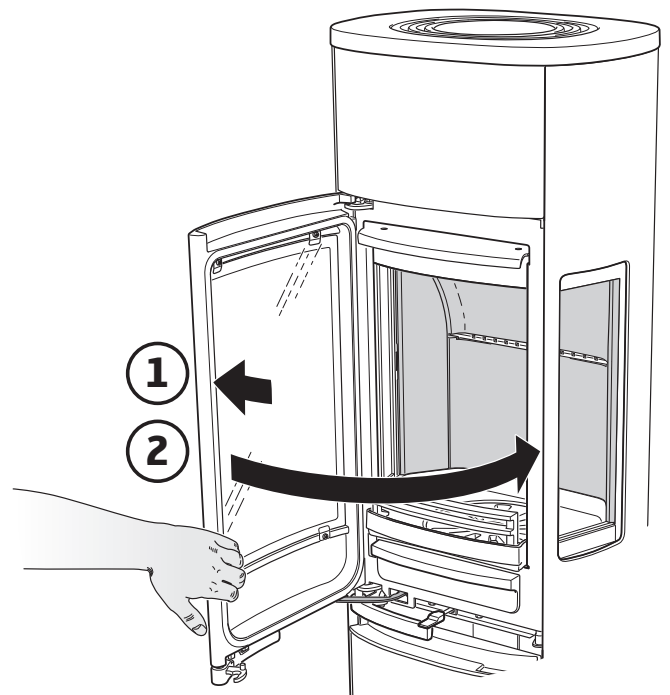
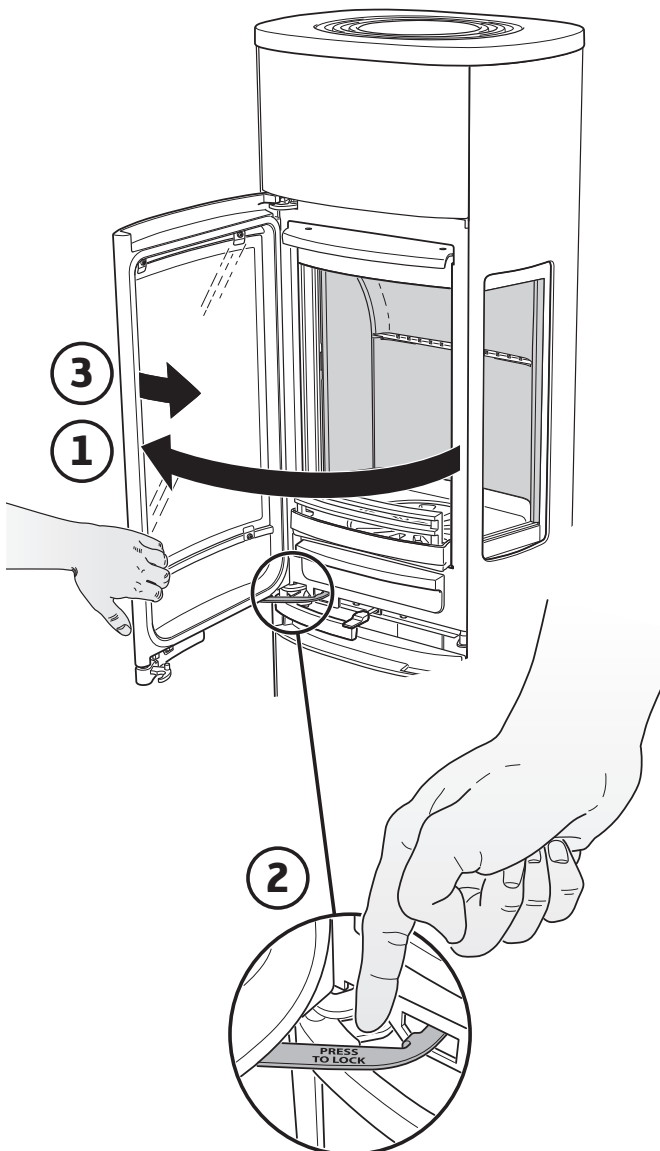
**GB** Door in open position, for cleaning/service  
The door can be secured in the open position using the locking lever on the left side of the stove.

**DK** Spærring af lågen, ved rengøring/service  
Lågen kan spærres i åben position ved hjælp af låsearmen på venstre side af brændeovnen.

**FI** Luukun asettaminen puhdistusta/huoltoon varten  
Luukku voidaan lukita avattuun asentoon takan vasemmalla puolella olevalla lukitusvarrella.

**IT** Bloccaggio dello sportello per la pulizia/la manutenzione  
Lo sportello può essere bloccato in posizione aperta con una levetta di blocco posta sotto la parte sinistra della stufa.

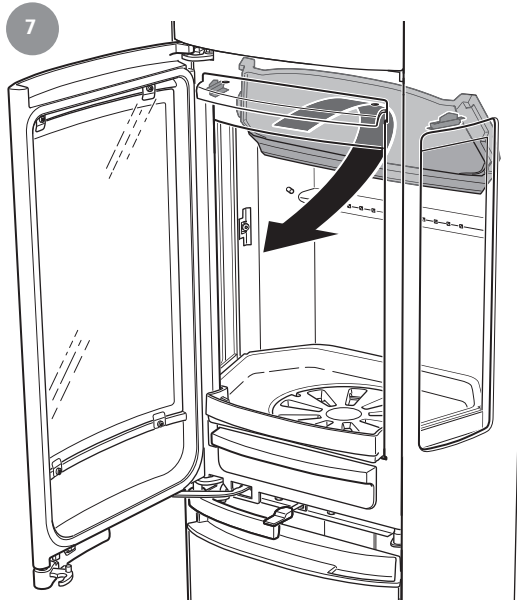
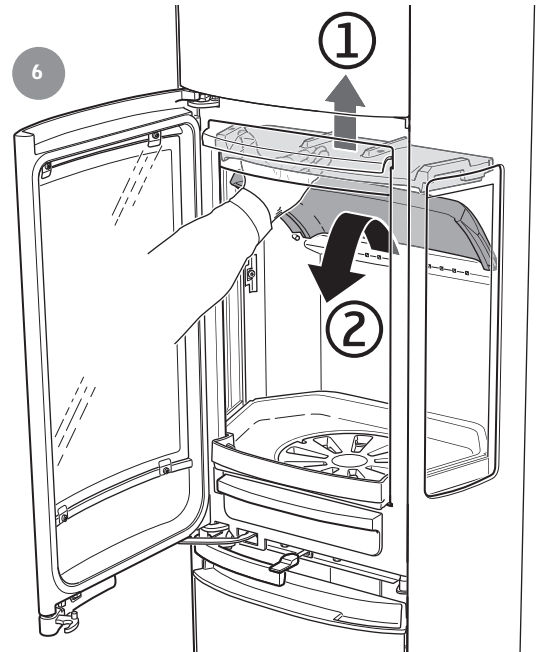
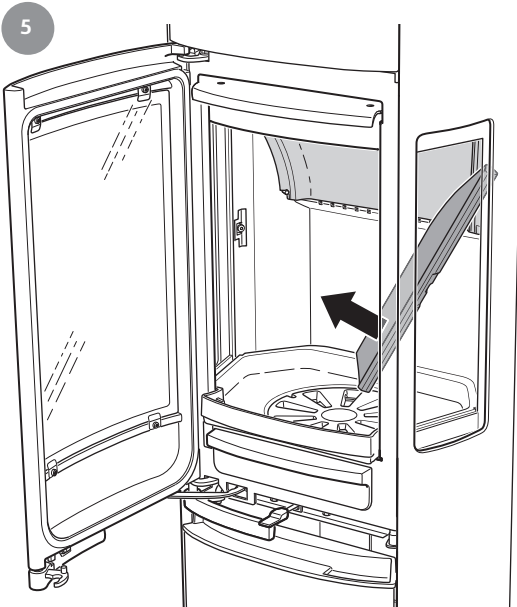
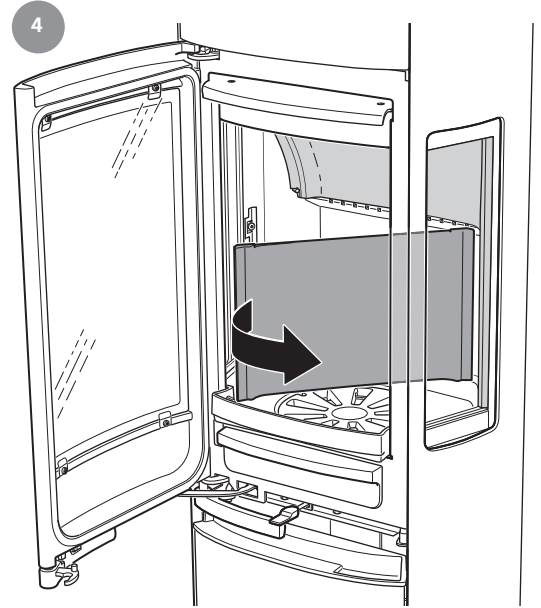
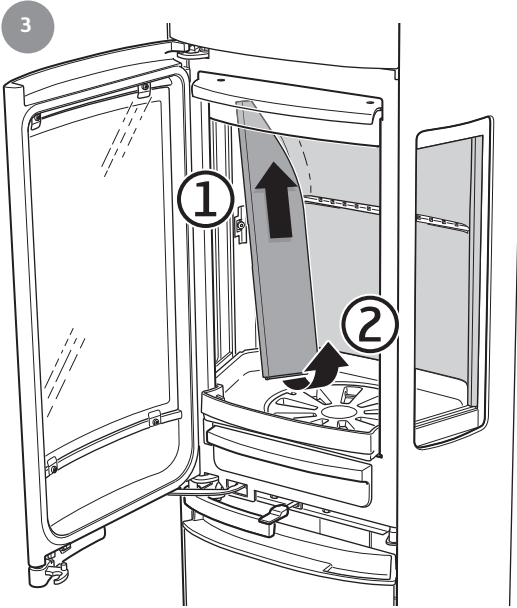
**NL** Plaatsen van de deur, bij schoonmaken/onderhoud  
De deur kan in geopende stand worden vastgezet met behulp van de vergrendeling aan de linkerzijde van de kachel.





- SE Demontera eldstadsbeklädnaden (Vermiculit)
- DE So demontieren Sie die Brennraumauskleidung (Vermiculit)
- NO Slik demonterer du ildstedsbekledningene (Vermikulitt)
- FR Voici comment démonter l'habillage du foyer (Vermiculite)
- GB How to remove the hearth surround (Vermiculite)
- DK Sådan afmonterer du ovnbeklædningen (Vermiculite)
- FI Näin irrotat tulipesän verhouksen (vermikuliitti)
- IT Come smontare il rivestimento del focolare (vermiculite)
- NL Zo demonteert u de kachelbekleding (vermiculiet)







8

